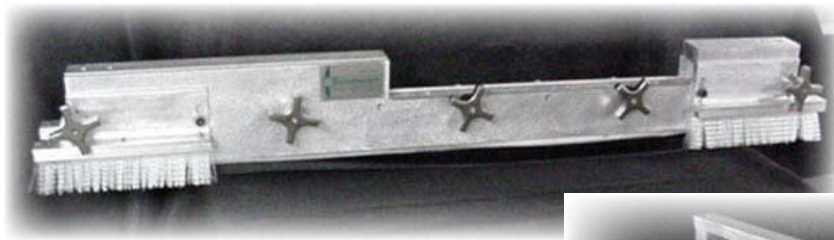


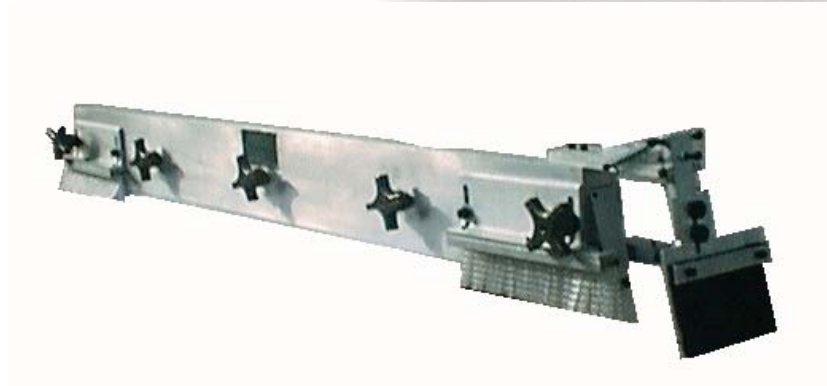
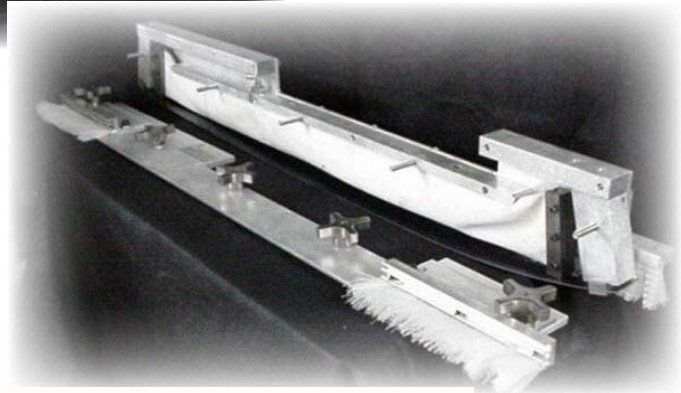
Ziegelmeier Manufacturing, Inc.

QUICK CHANGE PRESSURE HEAD PH 9001(48") AND PH 9003 (53-1/2")



FJS-25

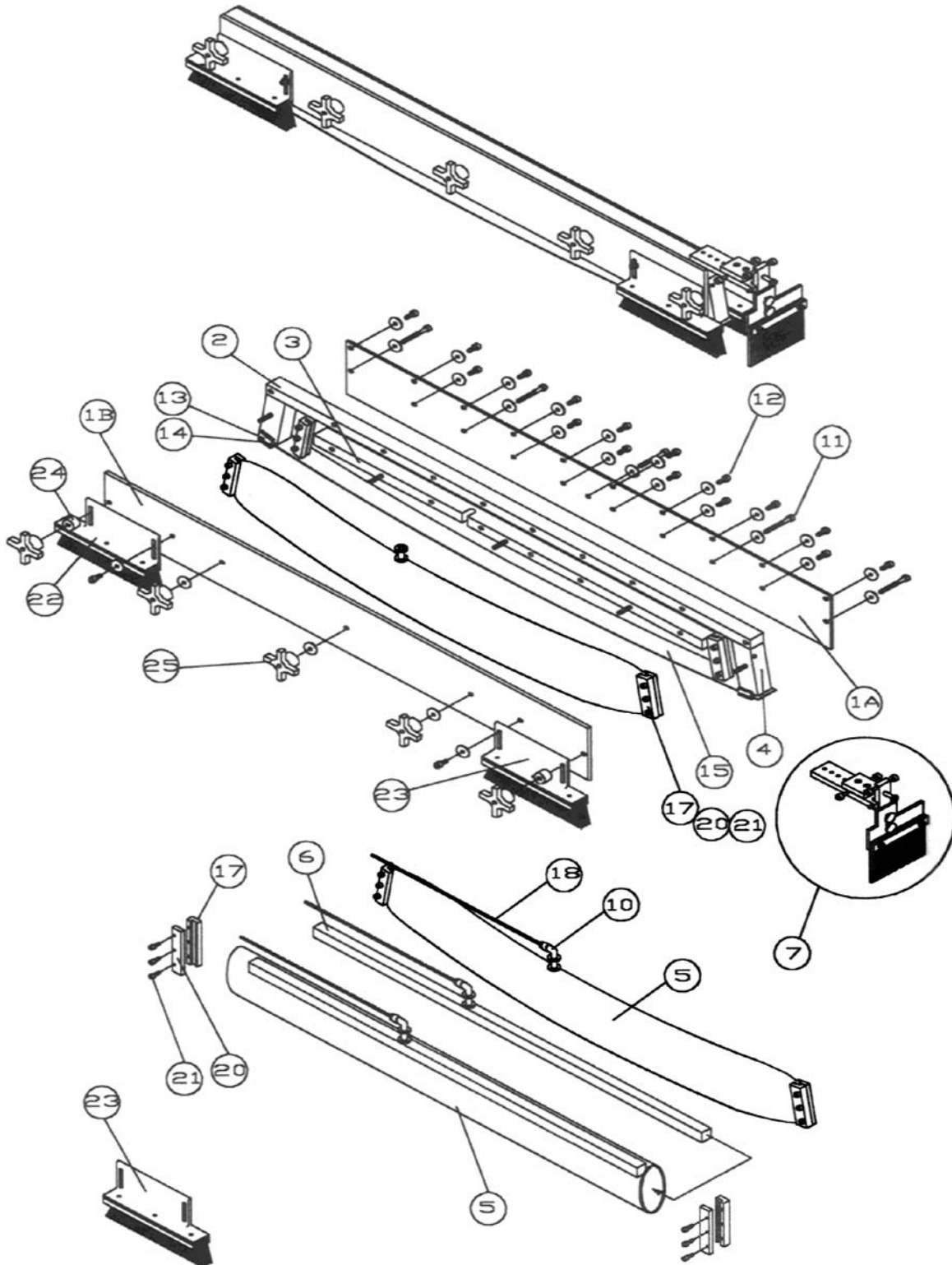
3470

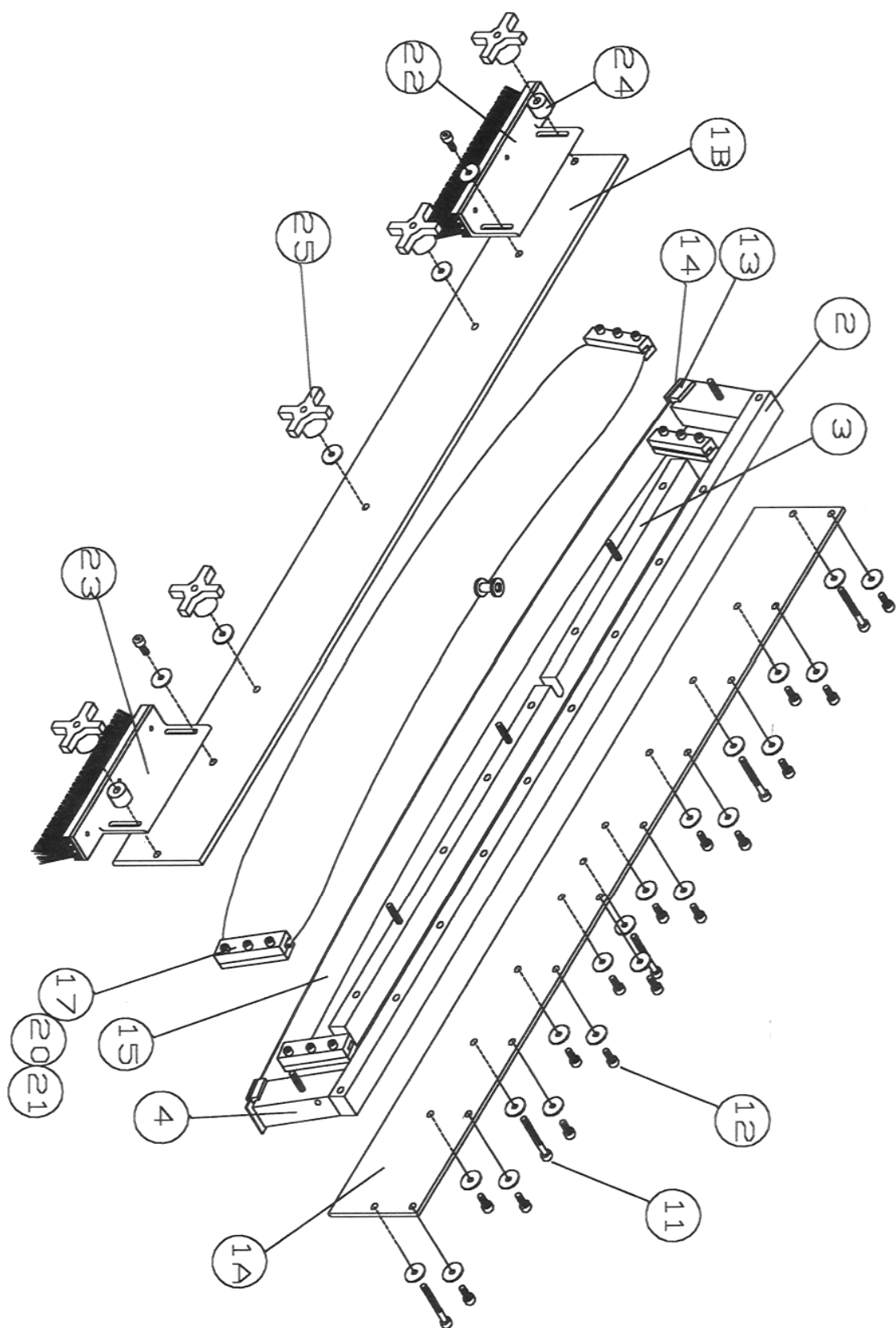


In an effort to improve our product and in response to our customers needs, we have redesigned our Air Bag Hold Down System. Ziegelmeier Manufacturing, Inc., has developed a new "Quick Change" Air Bag System. This new design allows the changing of the air bag with out removing the housing from the machine. Air Bag replacement has been reduced from 20 to 40 minutes to a quick 3 to 5 minutes. Call today for the size and pricing of your new Quick Change Air Bag System.

Phone: 1 (877) 779-6751 * Fax: 1 (541) 779-2099 * E-mail: zmm@mighty.net *
Web: www.ziegelmeier.com

Ziegelmeyer Manufacturing, Inc.
QUICK CHANGE PRESSURE HEAD ASSEMBLY
PH 9001(48") & PH 9003 (53-1/2") FOR 3470
ASK ABOUT OUR QUICK CHANGE FOR FJS-25



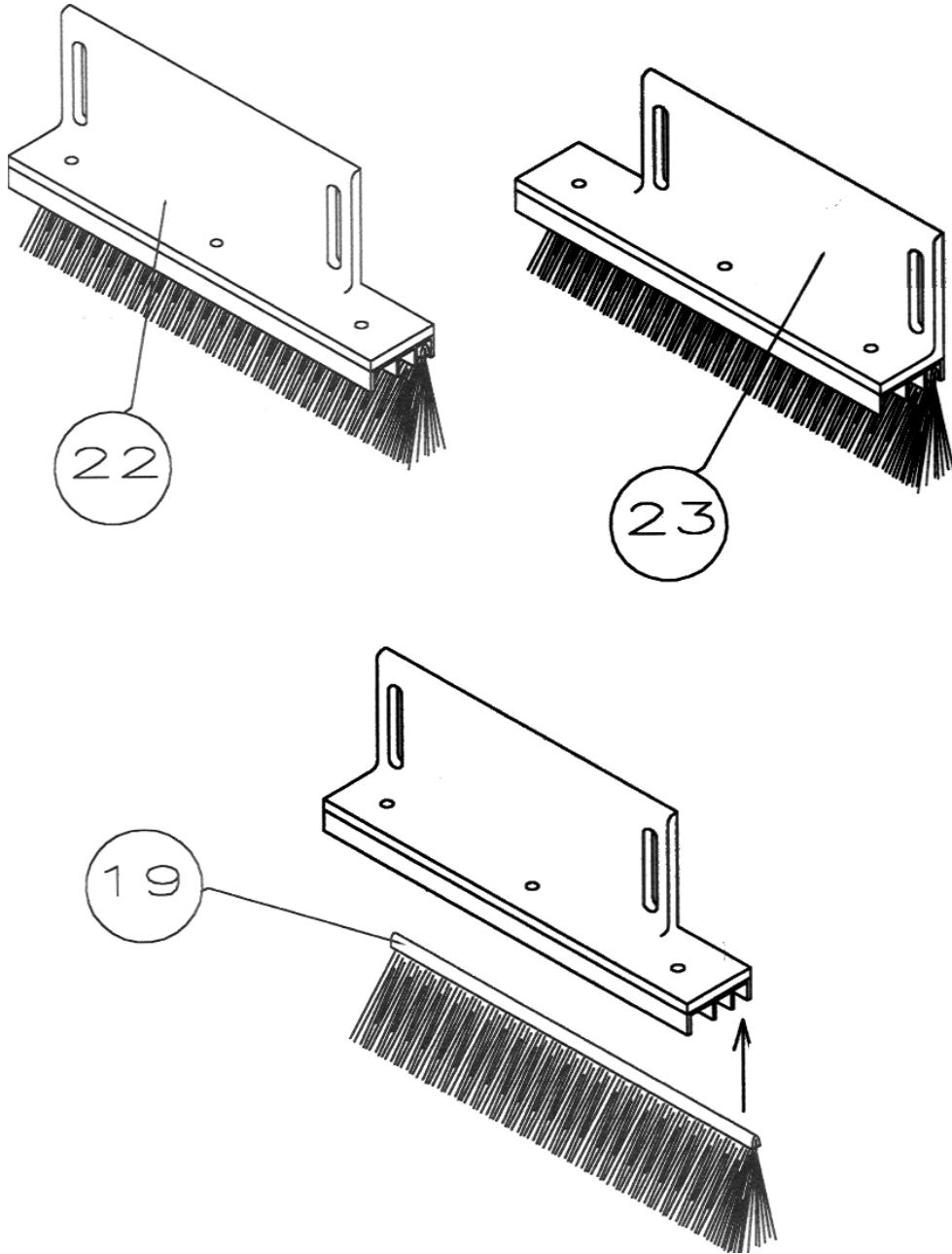


INFEED AND OUTFEED BRUSH ASSEMBLY

PH 9017-3 RIGHT HAND BRUSH ASSEMBLY

&

PH 9017-4 LEFT HAND BRUSH ASSEMBLY



Ziegelmeyer Manufacturing, Inc.

3470 QUICK CHANGE PRESSURE HEAD ASSEMBLY PH 9003 (53-1/2")

1A	Side Panel 1/4" (for 53-1/2" Pressure Head Air Bag System)	1	PH 9033-3
1B	Side Panel 3/8" (for 53-1/2" Pressure Head Air Bag System)	1	PH 9033-5
2	Strong Back (for 53-1/2" Pressure Head Air Bag System) #1 SCARFER	1	PH 9011-3
2	Strong Back (for 53-1/2" Pressure Head Air Bag System) #2 SCARFER	1	PH 9010-3
3	Bag Platten (for 53-1/2" Pressure Head Air Bag System)	1	PH 9033-13
4	End Cap	2	PH 9003-11QC
5	White Air Bag Hose Material 49" (for 53-1/2" Pressure Head Air Bag System)	1	PH 9016-49
6	Air Bag Insert (for 53-1/2" Pressure Head Air Bag System)	1	PH 9033-9
7	Safety Switch Assembly (see assembly)	1	PH 9002
10	Quick Change 90 Degree Elbow Coupling	1	1/4-1/8 PIPE L
11	3/8" Frame Bolt	5	3/8-16X3-1/2"
12	Socket Head Cap Screw with 3/8" Flat Washer	18	3/8-16X1"/ WASHER 3/8
13	Out Clamp Bracket Countersunk for 2"	2	PH 9003-17
13	In Clamp Bracket for 2"	2	PH 9003-19
13	Out Clamp Bracket for 3" Nomars	2	PH 9003-23
13	In Clamp Bracket for 3" Nomars	2	PH 9003-25
14	Steel Clamp Bracket for 2"	4	PH 9003-15
14	Steel Clamp Bracket for 3" Nomars	4	PH 9003-21
15	Nomar Strip 2"X 56-1/4" .062 (for 53-1/2" Pressure Head Air Bag System)	1	PH 9000-5
15	Nomar Strip 3"X56-1/4" .062 (for 53-1/2" Pressure Head Air Bag System)	1	PH 9000-13
17	Quick Change Bracket	2	PH 9033-17QC
18	1/4X170" Poly Tubing		TUBING 1/4
19	Brush Assembly Inserts	4	PH 9017-5
20	Quick Change Bracket	2	PH 9033-20QC
21	Socket Head Cap Screws for Quick Change Bracket	6	1/4-20X1
22	Right Hand Brush Assembly	2	PH 9017-RH
23	Left Hand Brush Assembly	2	PH 9017-LH
24	Off Set Bushing for Star Knob	2	PH 9033-33
25	3" Screw Star Handle For Quick Change	5	PH STAR HANDLE

Ziegelmeier Manufacturing, Inc.
3470 QUICK CHANGE PRESSURE HEAD ASSEMBLY PH 9001(48")

1A	Side Panel 1/4" (for 48" Pressure Head Air Bag System)	1	PH 9033-2
1B	Side Panel 3/8" (for 48" Pressure Head Air Bag System)	1	PH 9033-4
2	Strong Back (for 48" Pressure Head Air Bag System) #1 SCARFER	1	PH 9011-1
2	Strong Back (for 48" Pressure Head Air Bag System) #2 SCARFER	1	PH 9010-1
3	Bag Platten (for 48" Pressure Head Air Bag System)	1	PH 9033-11
4	End Cap	2	PH 9003-11QC
5	White Air Bag Hose Material 41" (for 48" Pressure Head Air Bag System)	1	PH 9016-41
6	Air Bag Insert (for 48" Pressure Head Air Bag System)	1	PH 9033-10
7	Safety Switch Assembly (see assembly)	1	PH 9002
10	Quick Change 90 Degree Elbow Coupling	1	1/4-1/8 PIPE L
11	3/8" Frame Bolt	5	3/8-16X3-1/2"
12	Socket Head Cap Screw with 3/8" Flat Washer	18	3/8-16X1" / WASHER 3/8
13	Out Clamp Bracket Countersunk for 2"	2	PH 9003-17
13	In Clamp Bracket for 2"	2	PH 9003-19
13	Out Clamp Bracket for 3" Nomars	2	PH 9003-23
13	In Clamp Bracket for 3" Nomars	2	PH 9003-25
14	Steel Clamp Bracket for 2"	4	PH 9003-15
14	Steel Clamp Bracket for 3" Nomars	4	PH 9003-21
15	Nomar Strip 2"X51" .062 (for 48" Pressure Head Air Bag System)	1	PH 9000-2
15	Nomar Strip 3"X51" .062 (for 48" Pressure Head Air Bag System)	1	PH 9000-11
17	Quick Change Bracket	2	PH 9033-17QC
18	1/4X170" Poly Tubing		TUBING 1/4
19	Brush Assembly Inserts	4	PH 9017-5
20	Quick Change Bracket	2	PH 9033-20QC
21	Socket Head Cap Screws for Quick Change Bracket	6	1/4-20X1
22	Right Hand Brush Assembly	2	PH 9017-RH
23	Left Hand Brush Assembly	2	PH 9017-LH
24	Off Set Bushing for Star Knob	2	PH 9033-33
25	3" Screw Star Handle For Quick Change	5	PH STAR HANDLE

Ziegelmeyer Manufacturing, Inc.

FJS-25 QUICK CHANGE PRESSURE HEAD ASSEMBLY PH 9005(48")

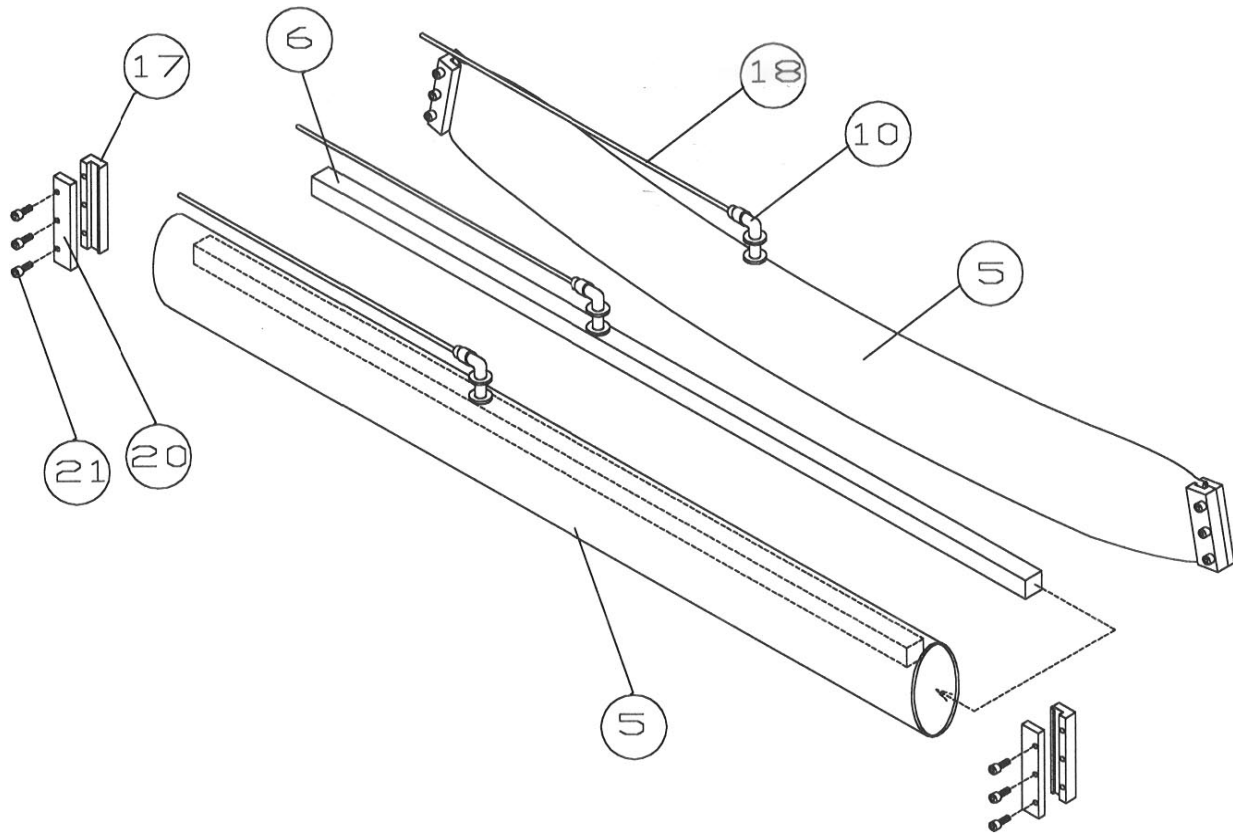
1A	Side Panel 1/4" (for 48" Pressure Head Air Bag System) RIGHT	1	PH 9125-3
1B	Side Panel 3/8" (for 48" Pressure Head Air Bag System) LEFT HAND	1	PH 9125-4
2	Strong Back (8", 19" and 40") #1 SCARFER	1	PH 9026-3-5-7
2	Strong Back (8", 19" and 40") #2 SCARFER	1	PH 9026-3-7-9
3	Bag Platten (for 48" Pressure Head Air Bag System)	1	PH 9033-11
4	End Cap	2	PH 9003-11QC
5	White Air Bag Hose Material 41" (for 48" Pressure Head Air Bag System)	1	PH 9016-41
6	Air Bag Insert (for 48" Pressure Head Air Bag System)	1	PH 9033-10
7	Safety Switch Assembly (see assembly)	1	PH 9002
10	Quick Change 90 Degree Elbow Coupling	1	1/4-1/8 PIPE L
11	3/8" Frame Bolt	5	3/8-16X3-1/2"
12	Socket Head Cap Screw with 3/8" Flat Washer	18	3/8-16X1" / WASHER 3/8
13	Out Clamp Bracket Countersunk for 2"	2	PH 9003-17
13	In Clamp Bracket for 2"	2	PH 9003-19
13	Out Clamp Bracket for 3" Nomars	2	PH 9003-23
13	In Clamp Bracket for 3" Nomars	2	PH 9003-25
14	Steel Clamp Bracket for 2"	4	PH 9003-15
14	Steel Clamp Bracket for 3" Nomars	4	PH 9003-21
15	Nomar Strip 2"X51" .062 (for 48" Pressure Head Air Bag System)	1	PH 9000-2
15	Nomar Strip 3"X51" .062 (for 48" Pressure Head Air Bag System)	1	PH 9000-11
17	Quick Change Bracket	2	PH 9033-17QC
18	1/4X170" Poly Tubing		TUBING 1/4
19	Brush Assembly Inserts	4	PH 9017-5
20	Quick Change Bracket	2	PH 9033-20QC
21	Socket Head Cap Screws for Quick Change Bracket	6	1/4-20X1
22	Right Hand Brush Assembly	2	PH 9017-3
23	Left Hand Brush Assembly	2	PH 9017-4
24	Off Set Bushing for Star Knob	2	PH 9033-33
25	3" Screw Star Handle For Quick Change	5	PH STAR HANDLE

PH 9033-105

48" COMPLETE AIR BAG REPLACEMENT FOR 3470 OR FJS-25

PH 9033-107

53-1/2" COMPLETE REPLACEMENT FOR 3470



5	WHITE AIR BAG HOSE MATERIAL 41" (48" HEAD)	1	PH 9016-41
5	WHITE AIR BAG HOSE MATERIAL 49" (53-1/2" HEAD)	1	PH 9016-49
6	AIR BAG INSERT (48" HEAD)	1	PH 9033-10
6	AIR BAG INSERT (53-1/2" HEAD)	1	PH 9033-9
10	QUICK CHANGE 90 DEGREE ELBOW COUPLING	1	1/4-1/8 PIPE L
10	WASHER	2	WASHER 5/8
10	LOCK NUT	1	5/8 LOCK NUT
17	QUICK CHANGE BRACKET	2	PH 9033-17QC
18	1/4" POLY TUBING		TUBING 1/4
20	QUICK CHANGE BRACKET	2	PH 9033-20QC
21	SOCKET HEAD CAP SCREWS FOR BRACKET	6	1/4-20X1

Ziegelmeier Manufacturing, Inc.

PRESSURE HEAD NOMAR STRIPS

PH 9000-1	3"X51" .025 OUR SLOTS (5/16X1-1/2 slots to the outside)
PH 9000-11	3"X51" .062 OUR SLOTS (5/16X1-1/2 slots to the outside)
PH 9000-12	2"X57-1/2" .062 INDUSTRIAL SLOTS (5/16X1-1/2 slots to the inside)
PH 9000-13	3"X56-1/4" .062 OUR SLOTS (5/16X1-1/2 slots to the outside)
PH 9000-14	3"X57-1/2" .062 INDUSTRIAL SLOTS (5/16X1-1/2 slots to the inside)
PH 9000-2	2"X51" .062 OUR SLOTS (FOR 48" QUICK CHANGE)
PH 9000-3	3"X56-1/4" .025 OUR SLOTS (5/16X1-1/2 slots to the outside)
PH 9000-4	2-1/2"X57-1/2" .062 OUR SLOTS
PH 9000-5	2"X56-1/4" .062 OUR SLOTS (FOR 53-1/2" QUICK CHANGE)
PH 9023	3"X57-1/2" .025 INDUSTRIAL SLOTS (5/16X1-1/2 slots to the inside)

Please note: We carry 2", 2-1/2" and 3" wide nomar material in either .025 or .062 thickness and can be cut to your specifications.

PRESSURE HEAD AIR BAGS

PH 9016-49	49" WHITE AIR BAG FOR 53-1/2" QUICK CHANGE SYSTEM
PH 9016-41	41" WHITE AIR BAG FOR 48" QUICK CHANGE SYSTEM
PH 9016-11	53" BLUE AIR BAG FOR 53-1/2" SYSTEM
PH 9016-13	51-1/2" WHITE AIR BAG FOR 53-1/2" QUICK CHANGE SYSTEM
PH 9016-19	46-1/2" WHITE AIR BAG FOR 48" QUICK CHANGE SYSTEM
PH 9016-9	47-1/2" BLUE AIR BAG FOR 48" SYSTEM

Please note: We carry 3" blue and 2-1/2" white air bag material and can be cut to your specifications.

Zieglmeyer Manufacturing, Inc.
OLD STYLE
AIR BAG ASSEMBLY MISCELLANEOUS PARTS

AIR BAG END CAPS AND EXPANDERS

PART NUMBER	DESCRIPTION
PH 9003-3	AIR BAG END CAP (OLD STYLE)
PH 9003-5	AIR BAG EXPANDER WITH THREADED STUD (OLD STYLE)

DRAW CABLES

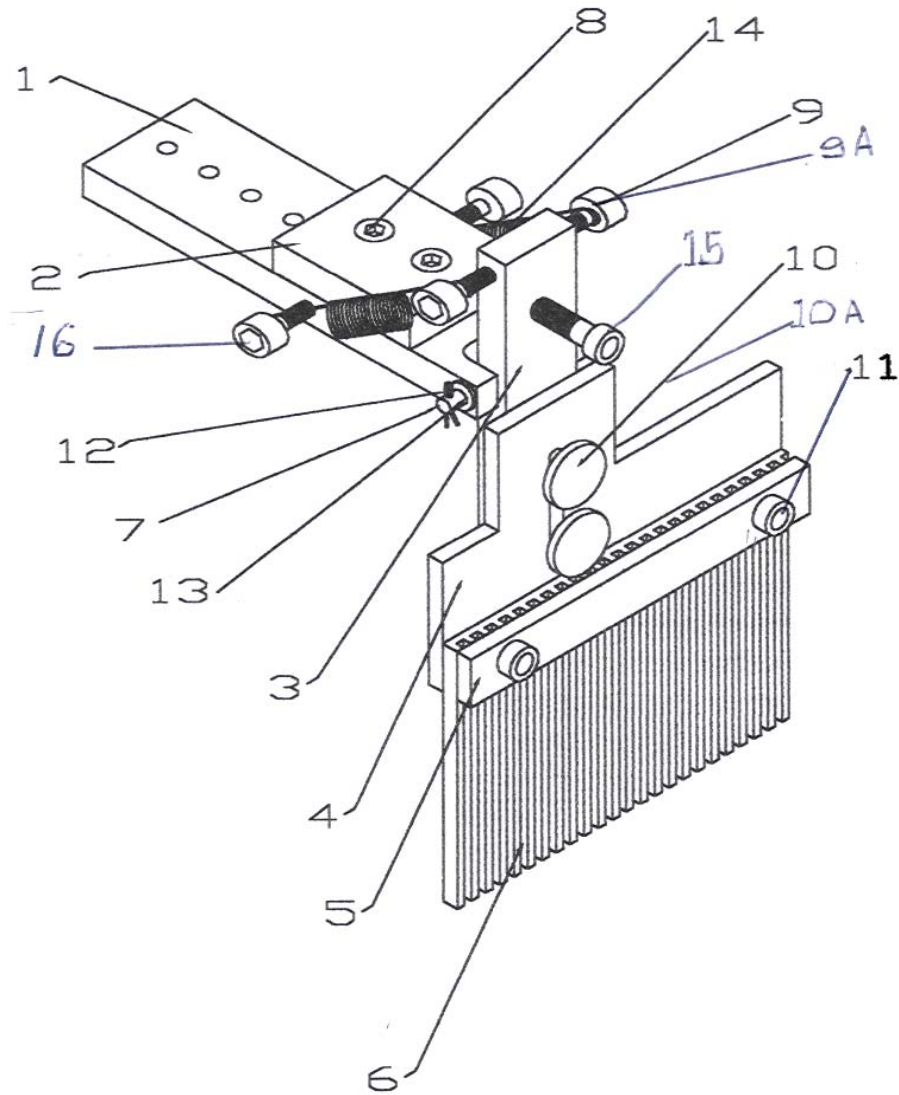
PART NUMBER	DESCRIPTION
EMT 1"	EMT TUBING FOR AIR BAG CABLE
PH 9016-5	DRAW CABLE ASSEMBLY FOR 48" PRESSURE HEAD
PH 9016-7	DRAW CABLE ASSEMBLY FOR 53-1/2" PRESSURE HEAD

CLAMP BRACKETS

PART NUMBER	DESCRIPTION
PH 9024-1	COMPLETE CLAMP BRACKET ASSEMBLY FOR 3" NOMARS
PH 9024-3	BEVELED CLAMP BRACKET FOR 3" NOMARS
PH 9024-5	COUNTER SUNK CLAMP BRACKET FOR 3" NOMARS
M1/4-20X3/8	MODIFIED SCREW FOR BRACKETS
1/4-20X3/8	SOCKET HEAD CAP SCREW

*In our continuing effort to upgrade our product, we have a Retro-Fit kit available.
Call for details and a quote!*

SAFETY SWITCH ASSEMBLY PH 9002



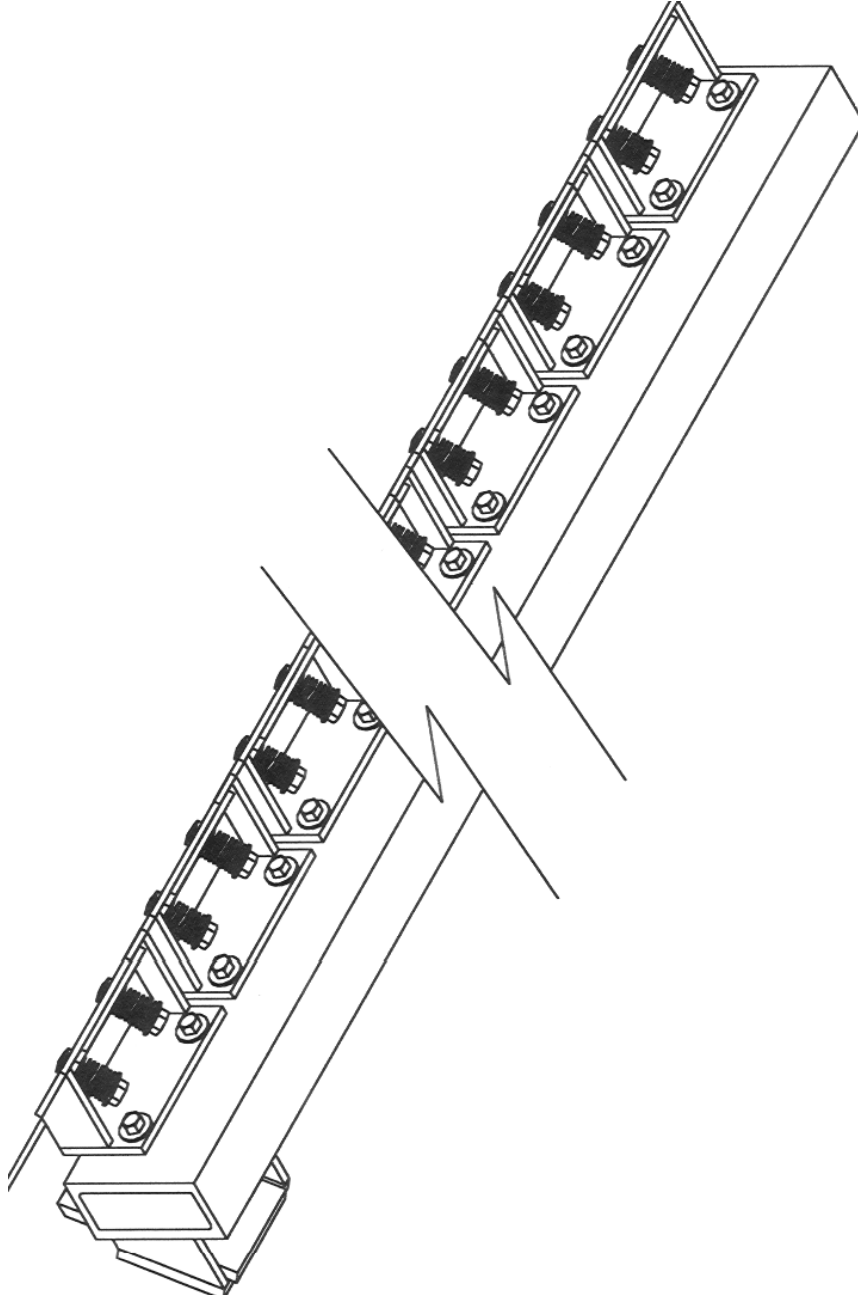
Ziegelmeyer Manufacturing, Inc.

PRESSURE HEAD SAFETY SWITCH ASSEMBLY PH 9002

Number	Description	Quantity	Part Number
1	HINGE BRACKET	1	PH 9002-5
2	BASE BLOCK FOR MICRO-SWITCH	1	PH 9002-9
3	BRACKET LOCATOR	1	PH 9002-3
4	PADDLE HOLDER	1	PH 9004-3
5	PADDLE CLAMP	1	PH 9004-5
6	RUBBER PADDLE WITH HOLES	1	PH 9004-7
7	HINGE PIN	1	PH 9002-7
8	FLAT HEAD ALLEN SCREWS	2	F1/4-20X1
9	SOCKET HEAD CAP SCREWS (MODIFIED)	2	M1/4-20X1-1/4
9A	HEX NUT	2	HEX-N 1/4-20
10	THUMB SCREWS	2	1/2-20X1 THUMB
10A	FLAT WASHER	2	WASHER 1/4
11	SOCKET HEAD CAP SCREWS NUT & WASHER (NOT SHOWN)	4	1/4-20X1
12	COTTER PIN	2	1/16X1 C.PIN
13	FLAT WASHER	4	WASHER 1/4
14	SPRING	2	SPRING #5611
15	SOCKET HEAD CAP SCREW WITH HEX NUT	1	1/4-20X1-3/4
16	SOCKET HEAD CAP SCREW (MODIFIED)	2	M10-32X3/4

FOR MOUNTING PURPOSES: QTY. 2 (1/4-20X1) SOCKET HEAD CAP SCREWS AND QTY. 2 (1/4") WASHERS.

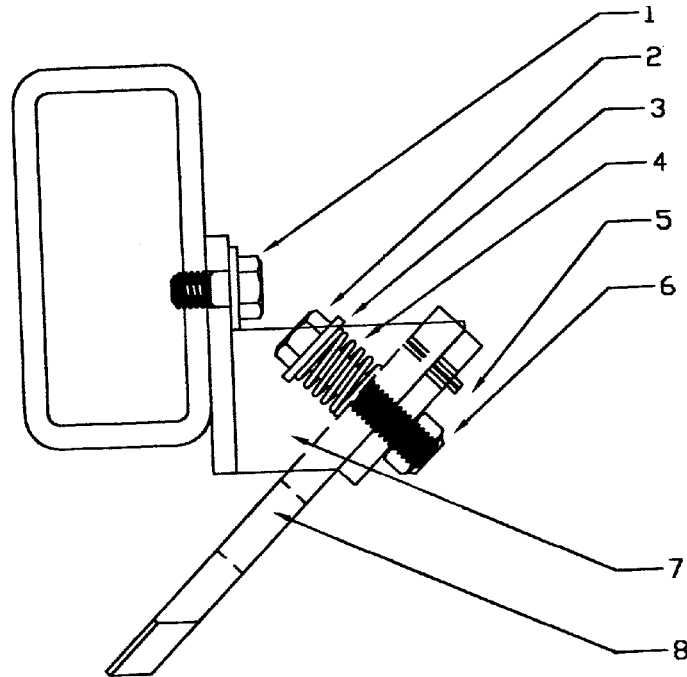
Ziegelmeyer Manufacturing, Inc.
METAL HOLD DOWN ASSEMBLY
PH 9300



Brush center hold down assembly also available, call for details.

Ziegelmeyer Manufacturing, Inc.

METAL CENTER HOLD DOWN ASSEMBLY PH 9300



1	HEX HEAD BOLT	2	BOLTS 3/8-16 X 3/4
2	HEX HEAD BOLT	2	BOLT 3/8-16X 1-1/4
3	FLAT WASHER	2	WASHER 3/8
4	SPRING	2	SPRING #K-59
5	SPLIT PIN	2	1/8 SPLIT PIN
6	NYLOK NUT	2	3/8-16 NYLOK NUT
7	ANGLE BRACKET FOR HOLD DOWN BLADES	1	PH 9300-5
8	4" CENTER HOLD DOWN BLADE	1	PH 9300-3

ZIEGELMEYER MANUFACTURING, INC.

METAL HOLD DOWN SYSTEM

