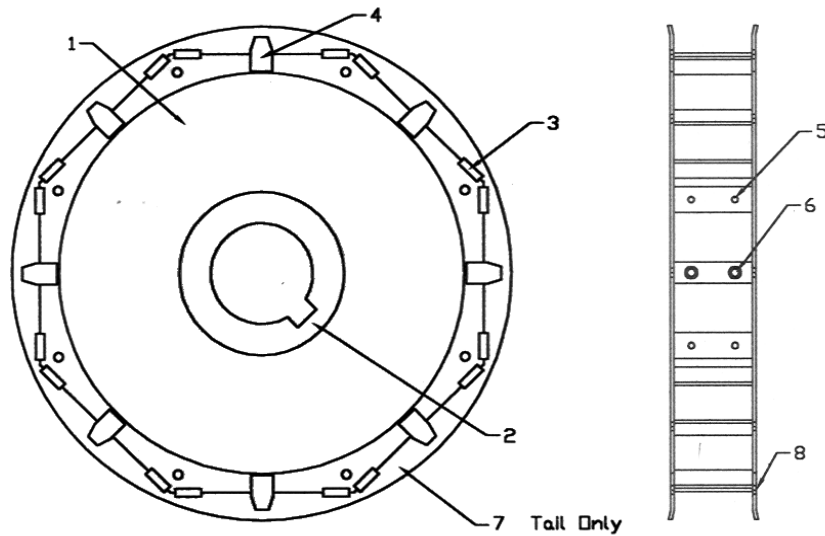




Ziegelmeier Manufacturing, Inc.

2-1/4" CAST SPROCKET

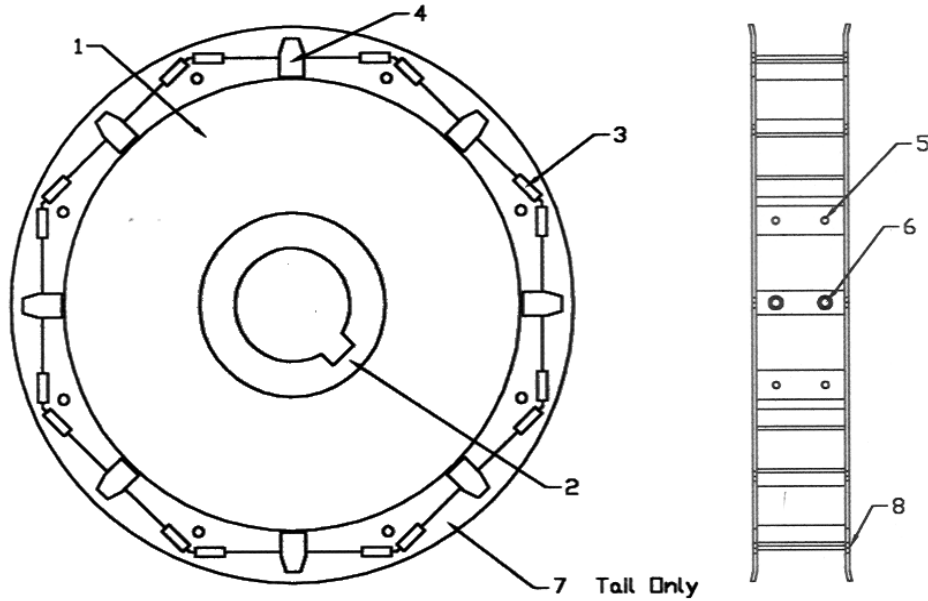


PARTS LIST

ITEM	DESCRIPTION	PART NUMBER
1	Main Sprocket Body	ZMM 4000-1
2	Set Screw	1/2-13 X 1-1/4"
3	Sprocket Pad	ZMM 4000-9
4	Sprocket Tooth	ZMM 4000-7
5	Flat Head Screw for Pads	10-32 X 5/8" FHCS
6	Socket Head Cap Screw	1/4-20 X 1-1/4" SHCS
7	Guide Ring Set	ZMM 4000-A
8	Guide Ring Screws	1/4-20 X 3/4 BHCS

Ziegelmeier Manufacturing, Inc.

2-3/8" CAST SPROCKET

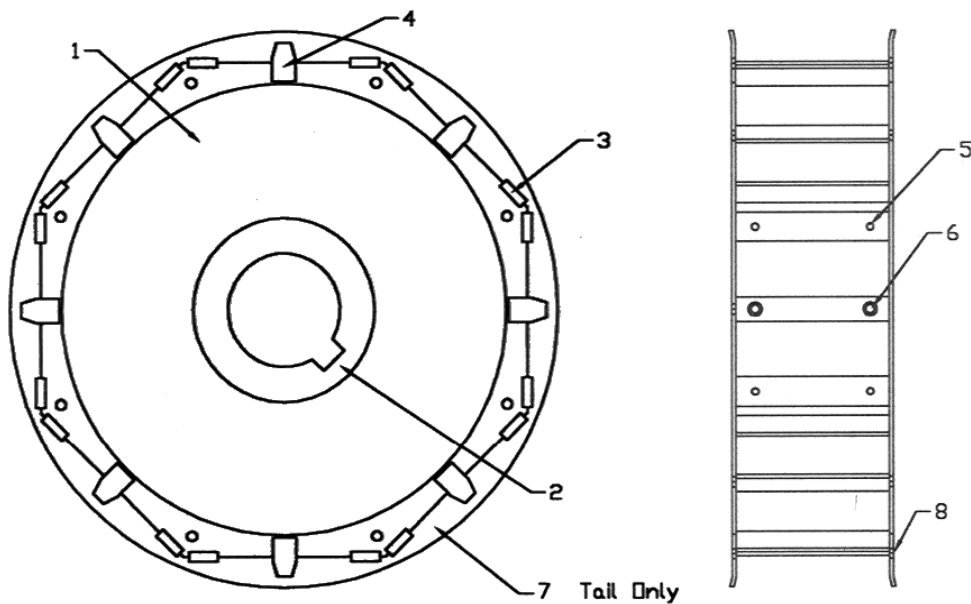


PARTS LIST

ITEM	DESCRIPTION	PART NUMBER
1	Main Sprocket Body	ZMM 4010-1
2	Set Screw	1/2-13 X 1-1/4"
3	Sprocket Pad	ZMM 4010-9
4	Sprocket Tooth	ZMM 4010-7
5	Flat Head Screw for Pads	10-32 X 5/8" FHCS
6	Socket Head Cap Screw	1/4-20 X 1-1/4" SHCS
7	Guide Ring Set	ZMM 4000-A
8	Guide Ring Screws	1/4-20 X 3/4 BHCS

Ziegelmeier Manufacturing, Inc.

4" CAST SPROCKET

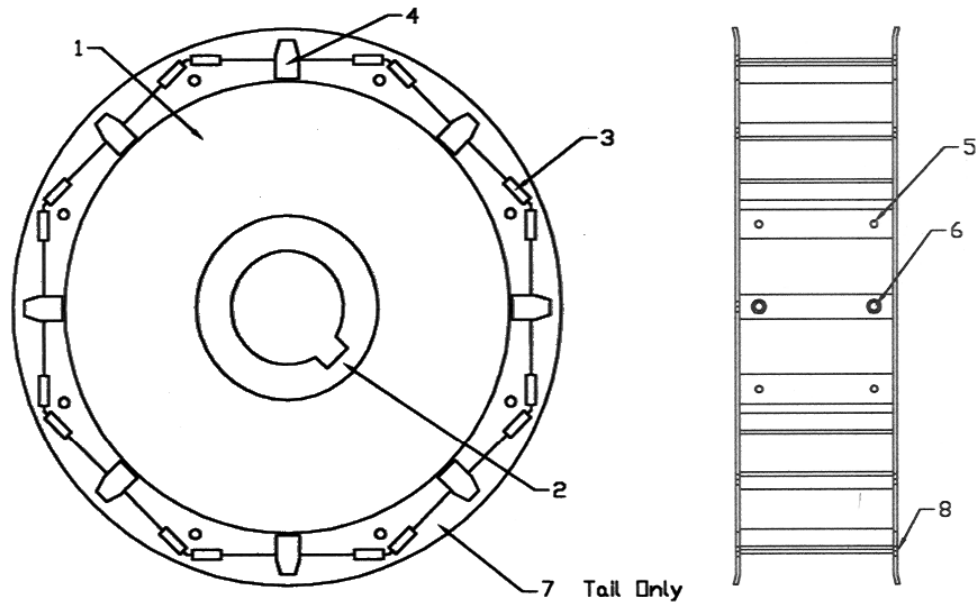


PARTS LIST

ITEM	DESCRIPTION	PART NUMBER
1	Main Sprocket Body	ZMM 4020-1
2	Set Screw	1/2-13 X 1-1/4"
3	Sprocket Pad	ZMM 1909-15
4	Sprocket Tooth	ZMM 4020-7
5	Flat Head Screw for Pads	10-32 X 5/8" FHCS
6	Socket Head Cap Screw	1/4-20 X 1-1/4" SHCS
7	Guide Ring Set- Tail Sprocket only	ZMM 4000-A
8	Guide Ring Screws	1/4-20 X 3/4 BHCS

Ziegelmeier Manufacturing, Inc.

6" CAST SPROCKET

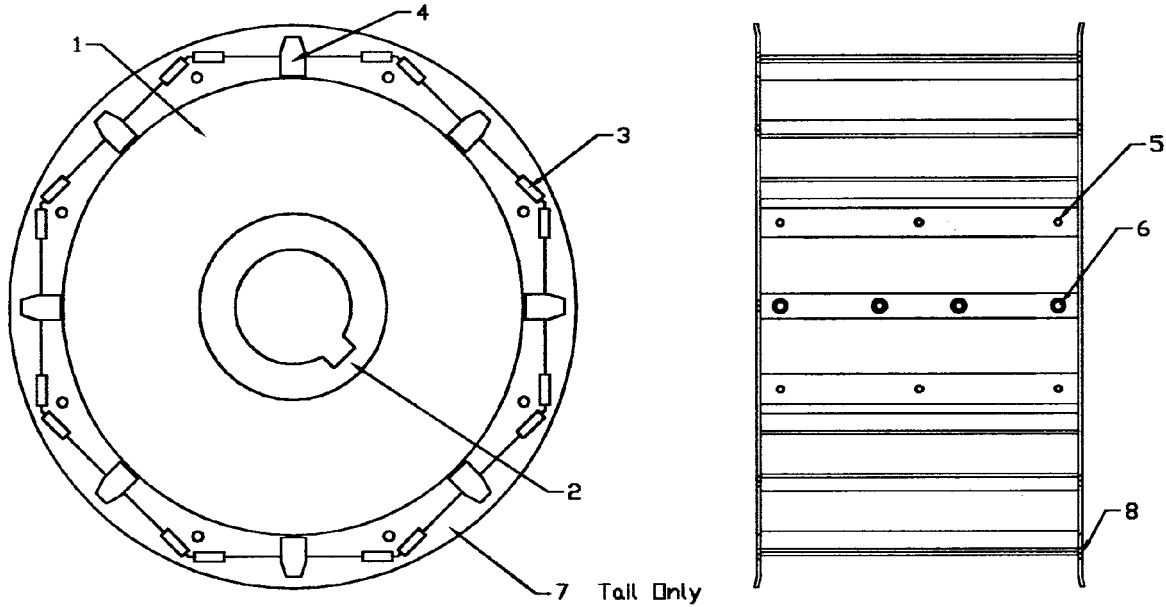


PARTS LIST

ITEM	DESCRIPTION	PART NUMBER
1	Main Sprocket Body	ZMM 4060-1
2	Set Screw	1/2-13 X 1-1/4"
3	Sprocket Pad	ZMM 1909-270
4	Sprocket Tooth	ZMM 4060-7
5	Flat Head Screw for Pads	10-32 X 5/8" FHCS
6	Socket Head Cap Screw	1/4-20 X 1-1/4" SHCS
7	Guide Ring Set- Tail Sprocket only	ZMM 4000-A
8	Guide Ring Screws	1/4-20 X 3/4 BHCS

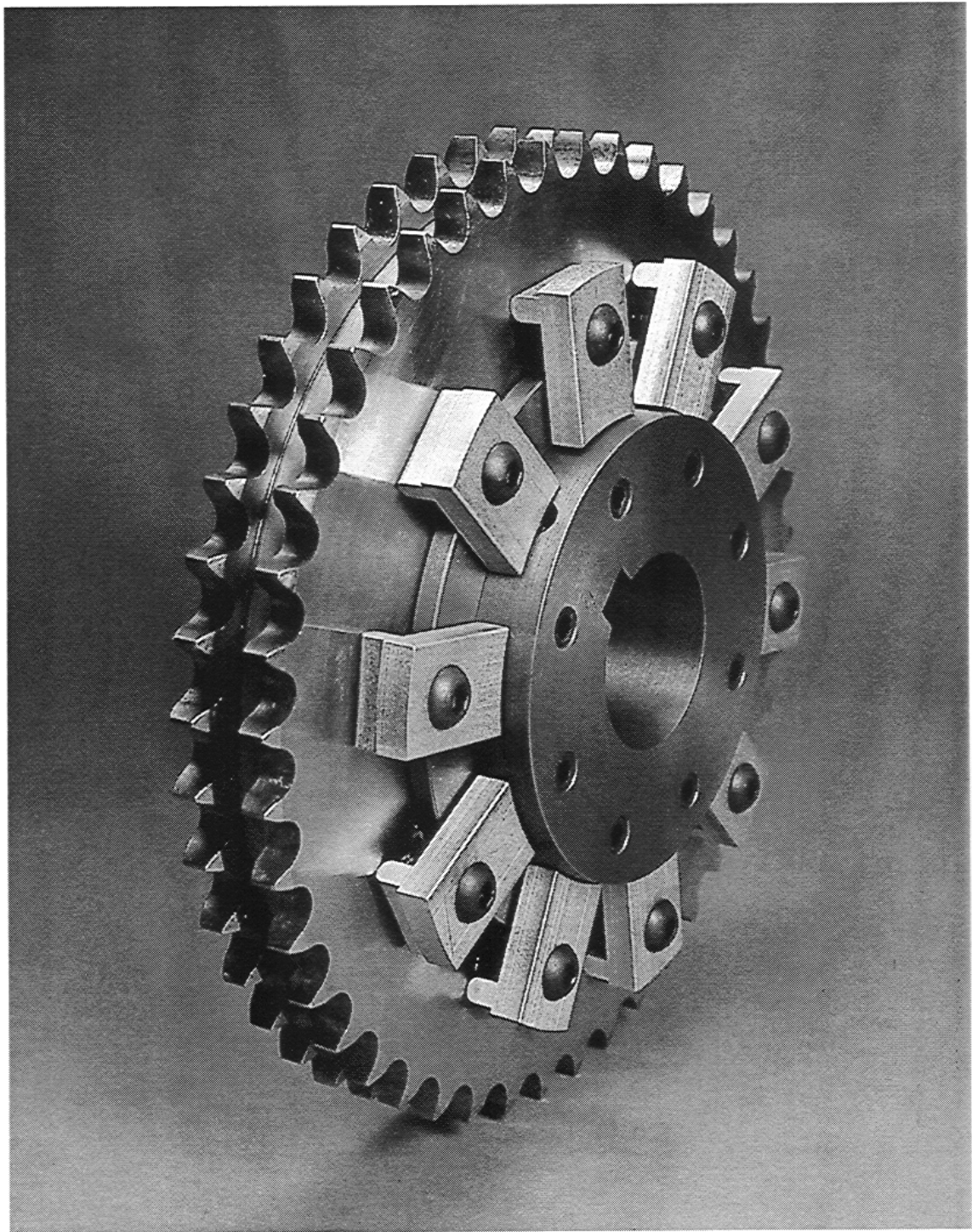
Ziegelmeier Manufacturing, Inc.

8-3/4" CAST SPROCKET



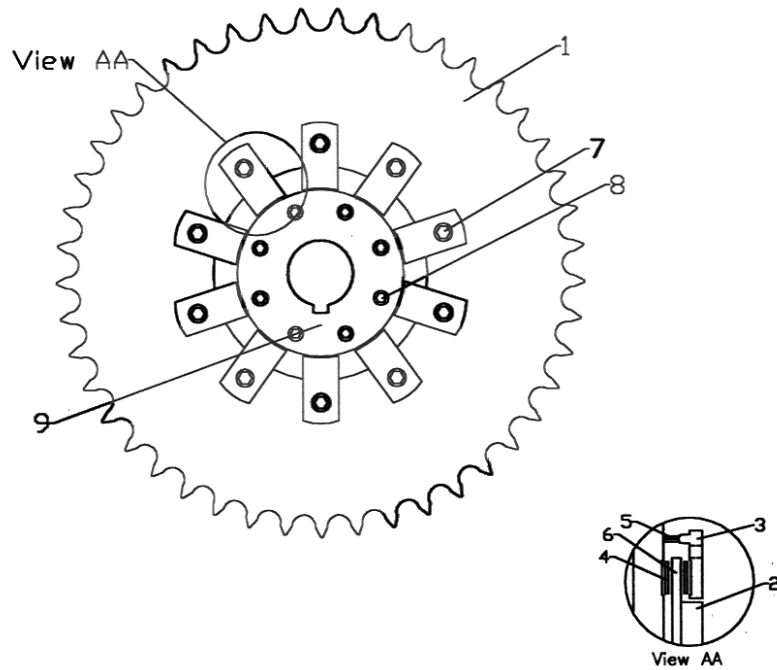
PARTS LIST

ITEM	DESCRIPTION	PART NUMBER
1	Main Sprocket Body	ZMM 4040-1
2	Set Screw	1/2-13 X 1-1/4"
3	Sprocket Pad	ZMM 1909-27
4	Sprocket Tooth	ZMM 4040-7
5	Flat Head Screw for Pads	10-32 X 5/8" FHCS
6	Socket Head Cap Screw	1/4-20 X 1-1/4" SHCS
7	Guide Ring Set-Tail Sprocket only	ZMM 4000-A
8	Guide Ring Screws	1/4-20 X 3/4 BHCS



Ziegelmeier Manufacturing, Inc.

ROLLER CHAIN CLUTCH SPROCKET



PARTS LIST

ITEM	DESCRIPTION	PART NUMBER
1	Main Sprocket Body	ZMM 5000-60 or -80
2	Hub 60 Chain	ZMM 5000-3
2	Hub 80 Chain	ZMM 5000-5
3	Caliper	ZMM 5000-7
4	Clutch Pad	ZMM 1909L-43
5	Roll Pin	1/4" X 3/4"
6	Disc	ZMM 5000-1
7	Caliper Bolt	1/2-20 X 1-1/2" BHCS
8	Disc Bolt	3/8-16 X 1 SHCS
9	Set Screw (not shown)	1/2-13 X 1-1/4" (2 required)