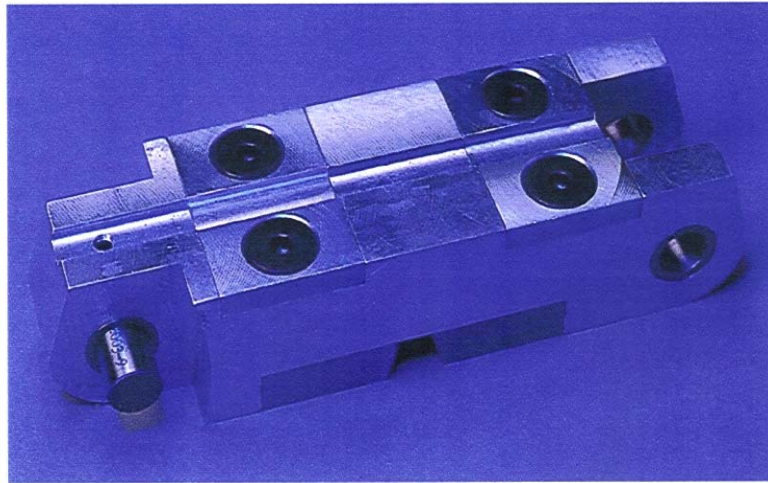


Ziegelmeier Manufacturing, Inc.

CHAIN LINKS

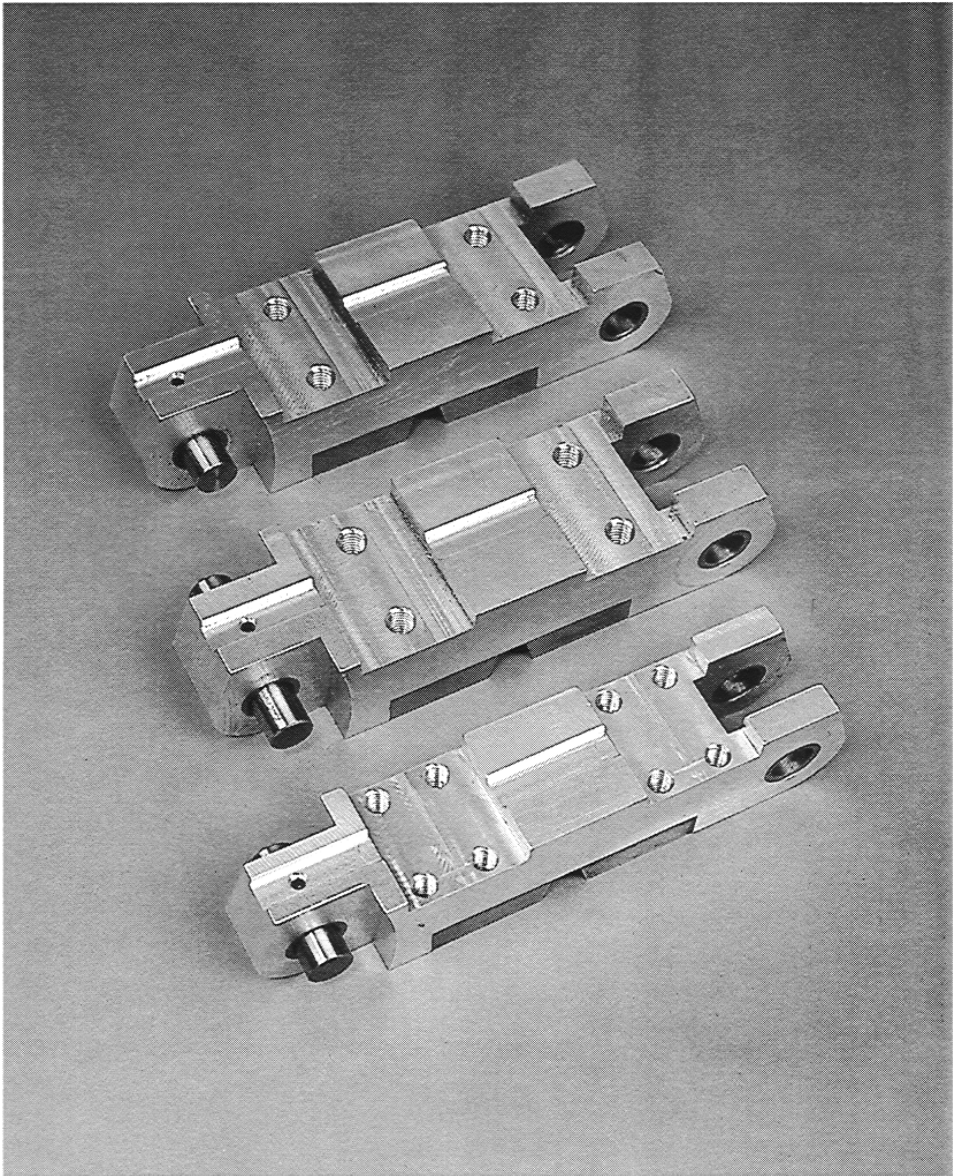


Ziegelmeier Manufacturing, Inc., has designed a completely rebuildable chain conversion package for virtually every type of Finger Jointer on the market today.

- With our Chain Links, we have replaced the standard 1/2" pins with our stronger 9/16" pins. An increase of 11% more surface area, and 55,000 lbs. of shear strength.
- Our Chain Links are completely rebuildable from the pins and bushings to the wear pads.
- All components provided by Ziegelmeier Manufacturing, Inc., are fabricated from the highest quality materials, milled exclusively on CNC machines and must meet the strictest quality standards.

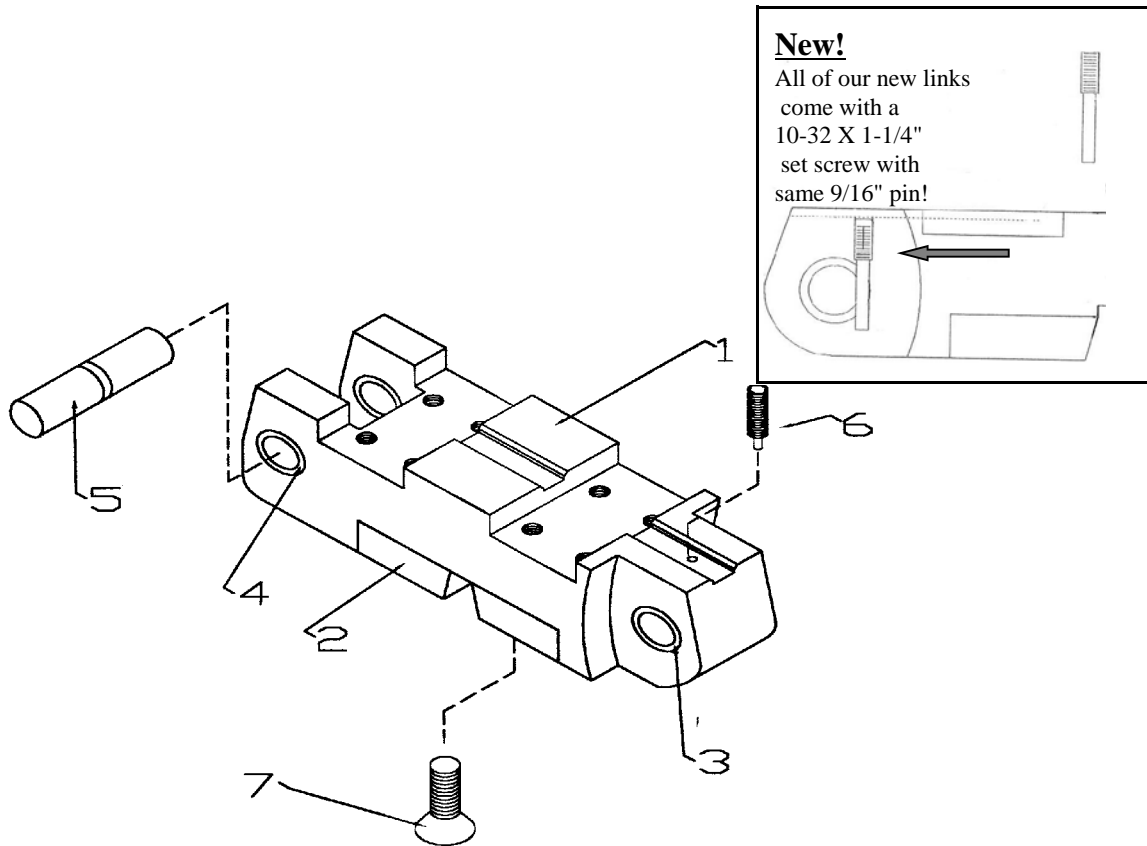
THE 6 POINT ZIEGELMEYER CONVERSION ADVANTAGE

1. **The Ziegelmeier chain system comes with 9/16" pins with 11% more surface area.** All other systems have 1/2" pins.
2. **The pins in our chain rotate so that all the pin surface area is used.** On other systems the pins are pressed in and do not rotate. Because they do not rotate, the wear is concentrated at the tang side of the pin. Once the chain pins begin to wear the chain must be replaced.
3. **The Ziegelmeier chain has bushings through out. This means that the chain is rebuildable.** All other systems only have bushings on the tang, once the pins work lose in the clevis the chain must be replaced.
4. **The Ziegelmeier chain links have a steel wear pad on the bottom of the link that engages with the drive sprocket, these can be replaced.** When the bottom of the other chains wear there is no recourse but to discard the chain.
5. **The drive and tail sprockets have replaceable teeth and wear pads. As the sprockets wear the parts can be replaced and the sprockets brought up to like new condition at a minimal cost. The teeth on the drive sprockets have a small percentage of lead in the alloy that makes the teeth slightly softer than the wear pads on the chain links. When the teeth begin to wear they can be turned end for end and ran again. When the teeth finally do wear out they can easily be replaced.** When the teeth wear out on other systems the whole sprockets must be replaced.
6. **The chain guide bed rails from Ziegelmeier have hardened caps that can be replaced.** Other systems must be replaced when the top shows wear. Western systems have the chain running steel against steel. When wear occurs the whole bed must be replaced. **On the Ziegelmeier conversion the bed is protected by a UHMW wear strip between the chain and the bed. The bed will never wear out and the guide rails can be switched right to left and left to right when wear occurs and ran again. This gives the Ziegelmeier system twice the life of the standard western type chain guide system.**



Ziegelmeier Manufacturing, Inc.

1-5/8" CHAIN LINK

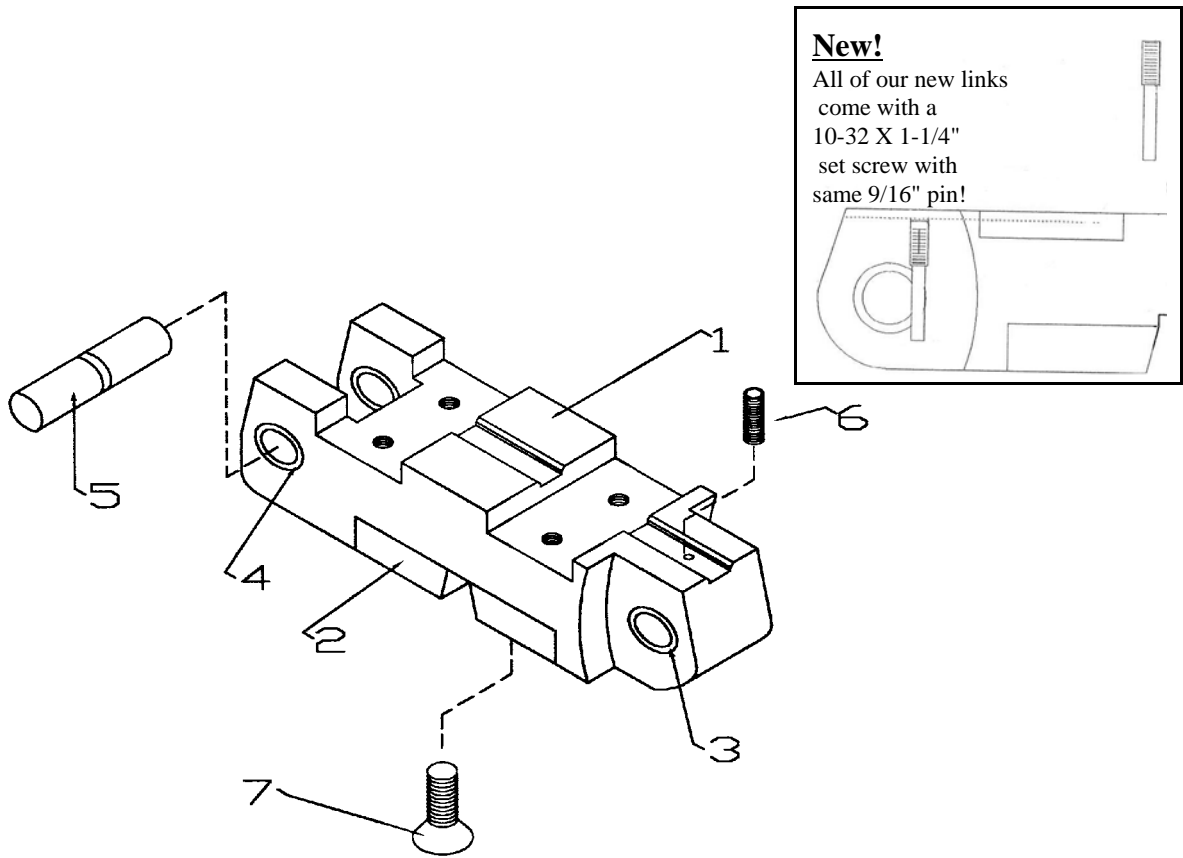


PARTS LIST

ITEM	DESCRIPTION	PART NUMBER
1	1-5/8" Link	ZMM 1906-A
2	Wear Pad	ZMM 2005-5
3	Tang Bushing	ZMM 2106-7
4	Clevis Bushing	ZMM 2106-5
5	Hinge Pin 9/16"	ZMM 2106-9
6	Dog Tooth Set Screw (modified)	M10-32 X 1/2"
7	Bolt to Wear Pad	1/4-20 X 1" FHCS

Ziegelmeier Manufacturing, Inc.

2-1/4" CHAIN LINK

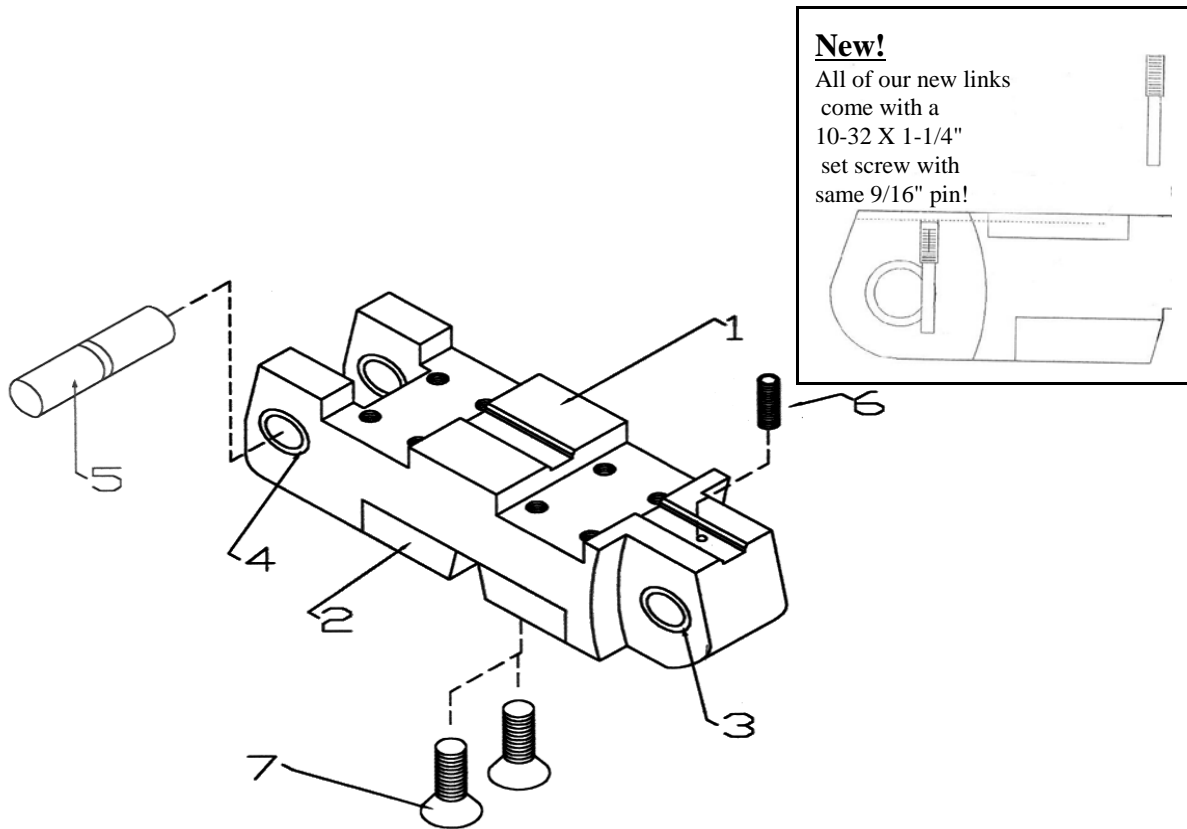


PARTS LIST

ITEM	DESCRIPTION	PART NUMBER
1	2-1/4" Link	ZMM 3003-1
2	Wear Pad	ZMM 3003-13
3	Tang Bushing	ZMM 2003-5
4	Clevis Bushing	ZMM 2003-5
5	Hinge Pin 9/16"	ZMM 3003-5
6	Dog Tooth Set Screw	SS10-32 X 1/2"DOG
7	Bolt to Wear Pad	3/8-16 X 1" FHCS

Ziegelmeier Manufacturing, Inc.

2-3/8" CHAIN LINK

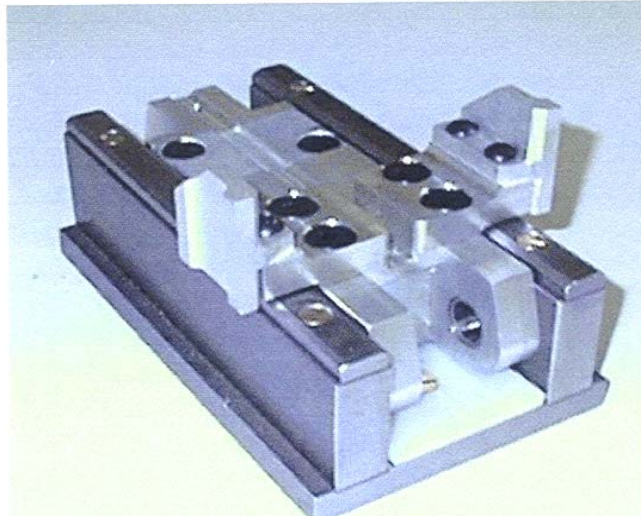


PARTS LIST

ITEM	DESCRIPTION	PART NUMBER
1	2-1/4" Link	ZMM 2003-1
2	Wear Pad	ZMM 2005-3A
3	Tang Bushing	ZMM 2003-7
4	Clevis Bushing	ZMM 2003-5
5	Hinge Pin 9/16"	ZMM 2003-9
6	Dog Tooth Set Screw	SS10-32 X 1/2" DOG
7	Bolt to Wear Pad	1/4-20 X 1" FHCS

Ziegelmeyer Manufacturing, Inc.

Finger Joint Conversion System
2-3/8" Single Chain

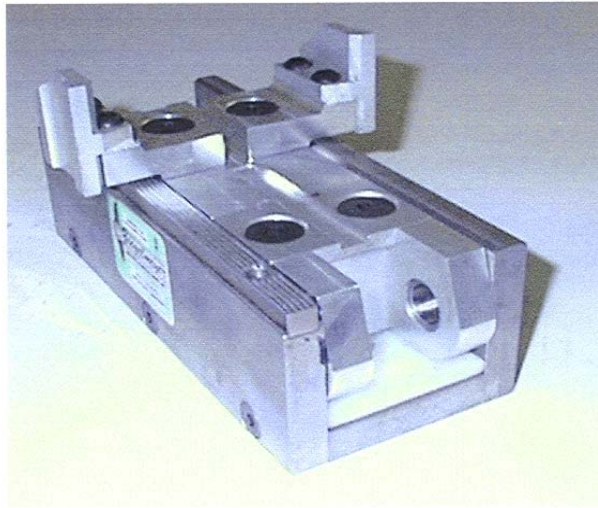


Available for.....

3470

Ziegelmeyer Manufacturing, Inc.

Finger Joint Conversion System
2-1/4" Single Chain



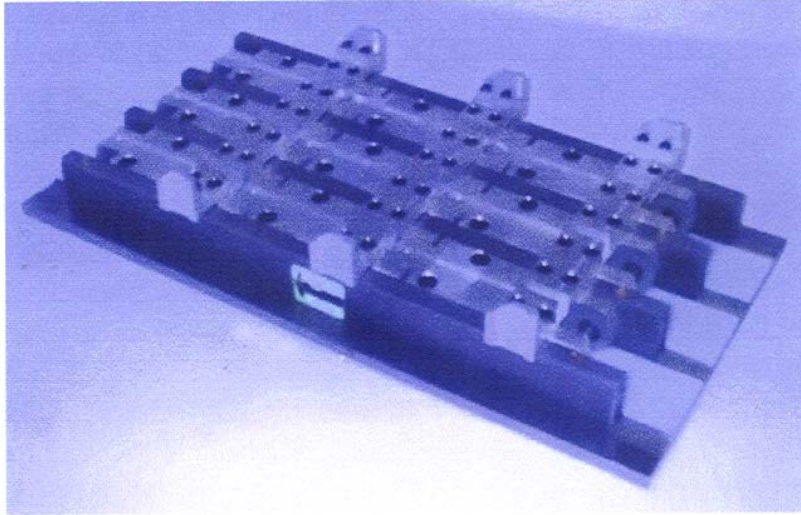
Available for.....

3470, FJS-25, IWS-10, SSS-10 & 3870

Phone: 1 (877) 779-6751 * Fax: 1 (541) 779-2099 * E-mail: zmm@mighty.net * Web: www.ziegelmeyer.com

Ziegelmeyer Manufacturing, Inc.

Finger Joint Conversion System
2-3/8" Triple Chain

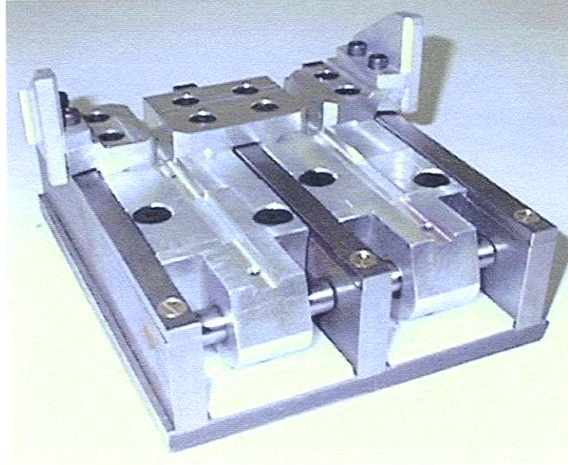


Available for.....

3470

Ziegelmeyer Manufacturing, Inc.

Finger Joint Conversion System
2-3/8" Dual Chain

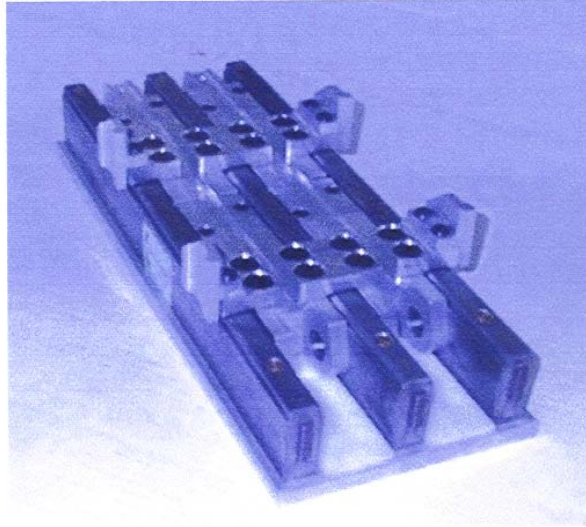


Available for.....

3470

Ziegelmeyer Manufacturing, Inc.

Finger Joint Conversion System
1-5/8" Dual Chain



Available for.....

3470 & FJS-25